

100 Series Grinders

Portion Control Coffee Grinders



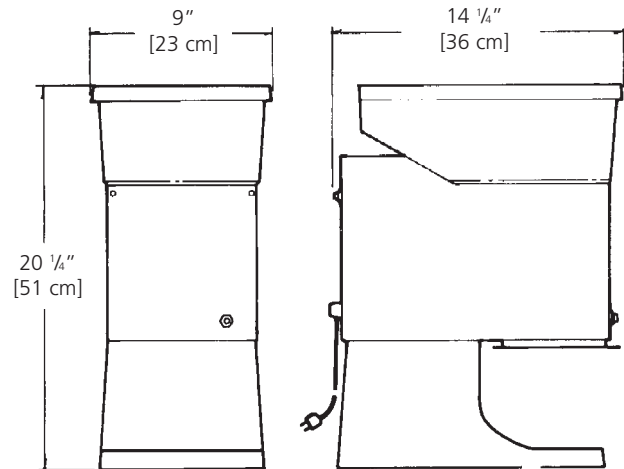
Model 190SS



GRINDMASTER™
CORPORATION

100 Series
Portion Control Coffee Grinders
Standard Features:

- Excellent bean visibility
- Adjustable range of grind settings
- Exclusive, long lasting granulating-style burrs assure highly accurate & consistent throws
- Economical, dependable grinders
- Powerful, energy efficient 1/2 HP motor
- Solid-state, concealed, dual range timer
- Circuit breaker with manual reset button
- Troubleshooting guide decals with toll-free phone number affixed to the back of each grinder
- Years of proven performance and reliability
- Exceptional warranty program: Burrs - 4 years parts (or 30,000 pounds of coffee, whichever comes first), 1 year labor; Other components - 2 years parts, 1 year labor



Specifications	Model 190SS
Volts/Watts/Amps	115VAC / 60Hz / 8 Amps
# Hoppers or Bowls	1
Hopper or Bowl Size	6 lbs. (2.7 kg) whole bean coffee
Grind Range	0.5 - 0.23 oz. (14 - 644g)
Grind Time	5.4 sec., 2 oz. (56g) on auto drip
Drive Motor	1/2 HP
Dimensions (H x W x D)	20 1/4" x 9" x 14 1/4" (51cm x 23 cm x 36 cm)
Ship Dimensions (H x W x D)	24 1/2" x 12 1/2" x 18 1/2" (62cm x 32 cm x 47 cm)
Weight	38 lbs. (17.2 kg)
Ship Weight	44 lbs. (20 kg)
Listings	UL & CUL Electrical

Specifications are subject to improvement or change without notice.

Ask about Grindmaster Corporation's line of Coffee Grinders, Coffee Brewers, Coffee Urns, Coffee Shuttles, Coffee Grindermixers, Espresso Grinders, Espresso Brewers, Beverage Dispensers, Granita Machines and Beverage Freezers.



GRINDMASTER™
 CORPORATION

Grindmaster® Coffee Grinders and Brewers • Espresso® Espresso Machines • Crathco® Hot Beverage Dispensers
 Crathco® Cold and Frozen Beverage Dispensers • American Metal Ware® Coffee and Tea Systems

Tel (502) 425-4776 • Fax (502) 425-4664 • 1-800-695-4500

P.O. Box 35020 • Louisville, KY 40232 • USA

www.grindmaster.com • email: info@grindmaster.com