

# Models PBVSA-430 & PBVSA-330

PRECISION BREW™ Single and Dual  
Airpot & Vacuum Insulated Shuttle® Brewers



**Model PBVSA-330**



**Model PBVSA-430**  
(pictured with optional 3.0L Airpot)

*Vacuum Insulated Shuttle(s) Included*



**GRINDMASTER™**  
CORPORATION

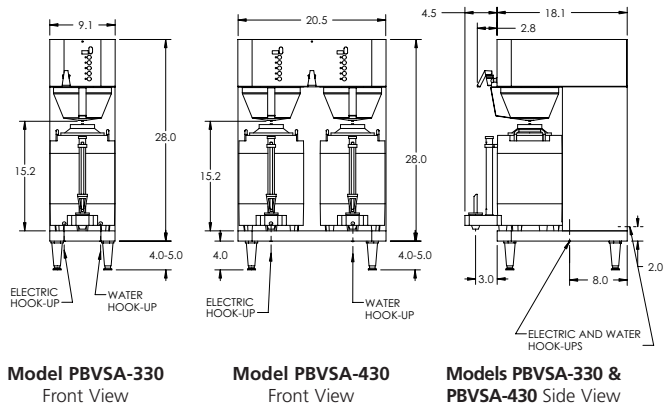


## Models PBVSA-430 & PBVSA-330

### Features

- Model PBVSA-330 is a single, digitally controlled brewer. It includes (1) vacuum insulated, VS-1.5 Shuttle® without stand (VS-S stands sold separately).
- Model PBVSA-430 is a twin, digitally controlled brewer. It includes (2) vacuum insulated, VS-1.5 Shuttles® without stand (VS-S stand sold separately).
- The VS-1.5 Shuttle® is a 1.5 gallons (5.7L) Vacuum insulated, stainless steel container. When used with available stand, it is portable and will maintain freshly brewed coffee hot without additional heat.
- Bumper guides allow brewer to brew into 3.0L airpots. (Airpots sold separately).
- The following brew variables are programmable through the front display: Water temperature, brew volume, pulse brewing sequence, bypass percentage, low temp/no brew.
- Precise Brew Temperature - The brewer will hold the brew temperature to +/- 1°F during the complete brew cycle.
- 3 Brew Volumes – From ½ gallon (1.9L) to 1½ gallons (5.7L). Each volume can be set by 'teach' mode to eliminate trial-and-error set-up.
- Pulse brewing/pre-infusion – Allows the brew sequence to extract up to 20% more dissolved solids per batch of coffee. Programmable: number of pulses, pulse-on time and pulse-off time. Changing pulse sequence does not affect the brew volume.
- Bypass adjustment – For Large and Medium brew volumes, can program up to 33% of the total brew volume to bypass the coffee grounds. Changing the percentage of bypass will not affect the brew volume.
- Low Temp/No Brew – Allows the brew cycle to begin only when the water has reached optimum brew temperature. Program On or Off.
- Cycle Counter – The brewer counts the total number of brew cycles.
- Programming Lockout – The brewer settings can be "locked" to prevent tampering.
- Brew Basket Lock – The brew basket(s) are automatically locked in-place throughout the brew cycle.
- Independent or simultaneous brewing on twin brewers.
- Diagnostics – The front display will indicate any water or heater failures.
- Hot Water Faucet – For use in making tea, soup, hot chocolate. Using the faucet will not affect the brew volume.
- Warranty - 2 years parts and labor on the brewer. 4 years part warranty on the control board.

Specification	Model PBVSA-430 (twin)	Model PBVSA-330 (single)
Electrical	120/240V, 6600W, 28A 120/208V, 5000W, 24A	120/240V, 6600W, 28A 120/208V, 5000W, 24A
5 oz. (148ml) cups/hour (140°F Δ T)	@ 240V: 500 @ 208V: 385	@ 240V: 385 @ 208V: 385
Water Line	3/8" flare	3/8" flare
Water Line Pressure	30 to 80 psi	30 to 80 psi
Cabinet Dimensions (H x W x D)	28" x 20-1/2" x 18" (71cm x 52cm x 46cm)	28" x 9" x 18" (71cm x 23cm x 46cm)
Ship Dimensions (H x W x D)	33" x 27-1/2" x 22" (83cm x 69cm x 55cm)	33" x 11" x 26" (83cm x 28cm x 66cm)
Weight	95 lbs. (43 kg)	50 lbs. (23 kg)
Ship Weight	100 lbs. (45 kg)	55 lbs. (25 kg)
Listings	UL, CUL, NSF	UL, CUL, NSF



Specifications are subject to improvement or change without notice.

Accessories	
VS-1.5	Additional Vacuum Insulated Shuttle®
VS-S	Shuttle® stand
BB1.5WP	13" x 5" filter paper for BB1.5SS - 500/case
BB2.0WP	14" x 6" filter paper for BB2.0SS - 500/case
DP-15	Drip pan for PBVSA-430
DP-8	Drip pan for PBVSA-330
APF3.0-B	3.0L airpot

Options	
BB2.0SS	Gourmet brew basket
A418-032	Gourmet spray head
AOPT-248	3-heater 15kW (high output) PBVSA-430 only
AOPT-303	Master power switch
AOPT-304	Shuttle® lockout switch - single
AOPT-305	Shuttle® lockout switch - twin



**GRINDMASTER™**  
CORPORATION

Grindmaster® Coffee Grinders and Brewers • Espresso® Espresso Machines • Crathco® Hot Beverage Dispensers  
Crathco® Cold and Frozen Beverage Dispensers • American Metal Ware® Coffee and Tea Systems  
Tel (502) 425-4776 • Fax (502) 425-4664 • 1-800-695-4500 (USA & Canada only)

P.O. Box 35020 • Louisville, KY 40232 • USA