

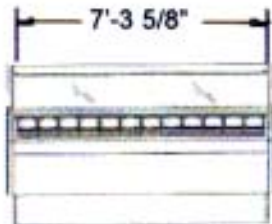


OTL-USA

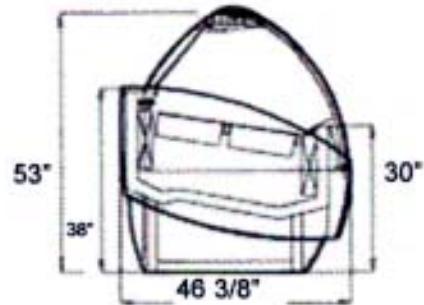
OSCARTIELLE EQUIPMENT COMPANY, Inc.

Ventura Gelato

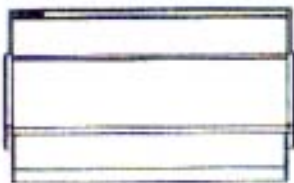
12 Specifications



Front Elevation



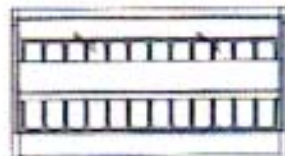
End Section



Rear Elevation



End Elevation



Plan

Length: 87 5/8"

Depth: 46 3/8"

Height: 53"

**Shown with 24 ea. 5 Liter Facing
Pans and 24 ea. Pans in Reserve.**

Gelato/Ice Cream Service/Display

Stainless Steel Deck and Work Surface. Unfinished Front and Ends.

Self Contained Refrigeration System: 2 ea. 1/2 H.P., R-404A Condensing Unit.

2 ea. Evaporator Coils. Automatic Hot Gas Defrost System.

Digital Electronic Thermostatic Controls.

Power Requirements: 220/1/60, 10 amps. Weight: 1100 lbs.

Required Ambient Conditions: 75 Deg. F, 55% RH
Specifications subject to change without notice.

