

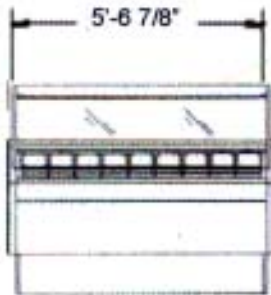


**OTL-USA**

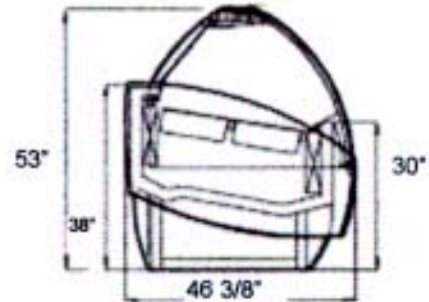
OSCARTIELLE EQUIPMENT COMPANY, Inc.

## Ventura Gelato

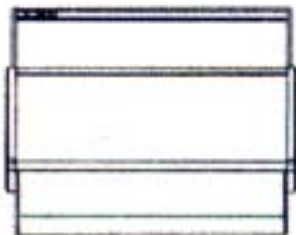
## 9 Specifications



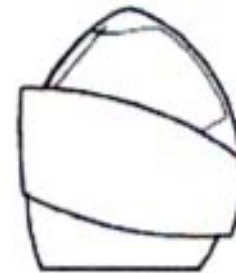
Front Elevation



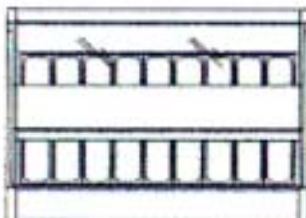
End Section



Rear Elevation



End Elevation



Plan

**Length: 66 7/8"**

**Depth: 46 3/8"**

**Height: 53"**

**Shown with 18 ea. 5 Liter Facing  
Pans and 18 ea. Pans in Reserve**

### **Gelato/Ice Cream Service/Display**

Stainless Steel Deck and Work Surface. Unfinished Front and Ends.

Self Contained Refrigeration System: 2 ea. 1/2 H.P., R-404A Condensing Unit.

2 ea. Evaporator Coils. Automatic Hot Gas Defrost System.

Digital Electronic Thermostatic Controls

Power Requirements: 220/1/60, 10 amps. Weight: 980 lbs.

Required Ambient Conditions: 75 Deg. F, 55% RH  
Specifications subject to change without notice.

