

# AM-100BAE

## SELF-CONTAINED CUBER WITH BUILT-IN STORAGE BIN

Item # \_\_\_\_\_

Project: \_\_\_\_\_

Qty: \_\_\_\_\_

\*AutoCad available on KCL

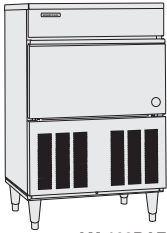
AM-100BAE

1/07

Item # 13148

### CUBER DIMENSIONS W x D x H

**AM-100BAE**  
24<sup>15/16</sup> x 20<sup>1/2</sup> x 39\*  
\* with 6" legs



AM-100BAE

### AM-100BAE

Air-Cooled  
Shown



- Up to 105 lbs. of ice production per 24 hours
- Durable stainless steel exterior
- Up to 44 lbs. of built-in storage capacity
- Easily disassembled water circuit for easy cleaning
- Front in, front out airflow
- Fewer moving parts for longer life
- Drop down door
- R-134A Refrigerant

Distributed by:  
1901 Traffic St. NE  
Mpls MN 55413  
uppermidwestgourmet.net



### Warranty

Valid in United States, Canada, Puerto Rico, & U.S. Territories. Contact factory for warranty in other countries.

**Three Year** - Parts & Labor on entire machine.

**Five Year** - Parts on compressor and air-cooled condenser coil.

**Five Year** - Parts on evaporator.

© HOSHIZAKI AMERICA, INC.

618 Hwy. 74 S., Peachtree City, GA 30269

TEL 1-800-438-6087

FAX 1-800-345-1325

www.hoshizaki.com



# SELF-CONTAINED CUBER WITH BUILT-IN STORAGE BIN

**AM-100BAE**

**DIMENSIONS**

W x D x H

**AM-100BAE**  
24<sup>15/16</sup> x 20<sup>1/2</sup> x 39\*  
\*with 6" legs

• Air-cooled

**AIR-COOLED**

Water Temp° F.	50°
Air Temp° F.	70°
	105 lbs.

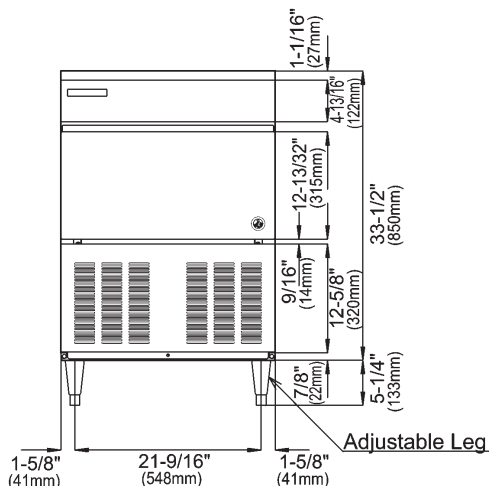
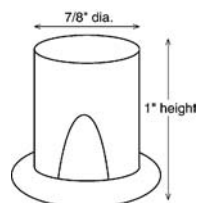
**UTILITY CONSUMPTION (AIR 70°F/WATER 50°F)**

Model Number	Ice Production Per Cycle Lbs.    Cubes	KWH per 100 LBS.	Potable Water Gal. per 100 lbs.	Condenser Water Gal. per 100 lbs.
AM-100BAE	1.54    60	9.9	37	N/A

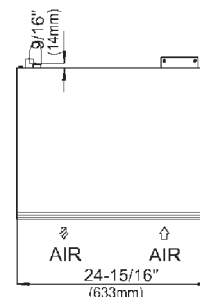
**SPECIFICATIONS**

Model Number	Condenser	Amperage	Min. Circuit Ampacity	Shipping Weight
AM-100BAE	Air-Cooled	6.5	N/A	145 lbs.

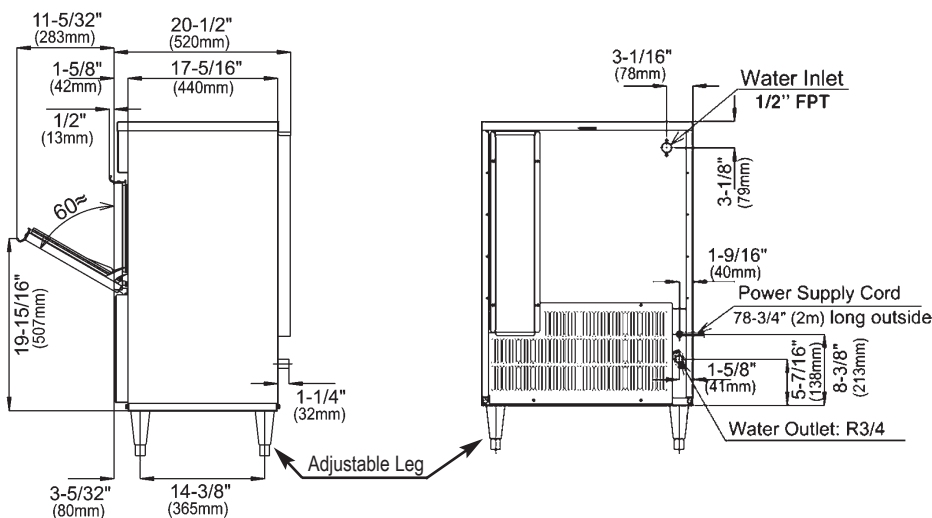
**AM CUBE DIMENSIONS**



**FRONT DIMENSIONS**



**TOP DIMENSIONS**



**SIDE DIMENSIONS**

**BACK DIMENSIONS**

**ELECTRICAL & PLUMBING/AM-100BAE**

- 115V/60/1
- 15 amp Max Fuse/HACR Breaker Size
- 1/2" OD copper or equivalent independent potable water supply
- 3/4" independent drain connection
- 1/2" FPT Water Inlet

**OPERATING LIMITS**

- Ambient Temp Range      50 - 100°F
- Water Temp Range        41 - 90°F
- Water Pressure            7 - 113psig
- Voltage Range            104 - 127V



© HOSHIZAKI AMERICA, INC.

618 Hwy. 74 S., Peachtree City, GA 30269

TEL 1-800-438-6087

FAX 1-800-345-1325

www.hoshizaki.com

Printed in U.S.A.

