



## G3 DIGITAL ICED TEA BREWING SYSTEMS

MODELS: PTT310000, TCTS10000, TCTT10000, TCTS10600, TCTS10200



**PTT310000**  
Polaris Low Profile Brewer



**TCTS10000/TCTS10200**  
Short Tea Brewer



**TCTT10000**  
Tall Tea Brewer



**TCTS10600**  
Rotating Cone Tea Brewer

### The Curtis G3 Tea Brewing Systems – incredible tea flavor, simple operation, reduced maintenance.

At the center of the Curtis G3 Tea Brewing Systems is its unique Universal Control Module. The G3's oversized LCD display and simple interface makes "scroll-through" programming incredibly easy. Of course, there's no need to adjust the system, as Curtis' pre-programmed factory settings deliver ideal results right out of the carton. Simply add bulk leaves or flow-thru filter packs and press the brew button for gallons of flavorful iced tea in just minutes.

Curtis G3 Systems include a host of new features designed to optimize tea quality including... digital temperature and brew-by-volume control, PM alerts, cold water brew lock-out, and much more. The result is perfect tea flavor and clarity, which keeps customers – and profits – returning.

Select from the low-profile PTT3 with movable "TeaToter" dispenser or the TCTS, TCTT or Sweet Tea for direct-to-dispenser high-volume brewing.

ITEM NO

PROJECT

DATE

#### FEATURES AT A GLANCE

- **G3 Digital Control Module** – Provides precise control for gourmet fine tuning with pulse-brewing, delay, and all critical brewing functions.
- **G3 Enhanced Tea Flavor & Clarity** – With digital accuracy, two separate precision valves provide unsurpassed control over concentrate brewing and dilution cycles.
- **"Fast Brew" Option** – Program selectable. Shortens brew time by allowing concentrate and dilution cycles to run at the same time.
- **Intuitive Scroll-Through Precision Programming** – Large, brightly lighted display communicates functions at a glance. Easily adjust time, volume, temperature, brew functions and more.
- **On-Board Self Diagnostics** – G3 continually senses proper brewing operation. A service phone number and error code will be displayed in the rare event technical assistance is required... reducing downtime.
- **Cold Water Brew Lock-Out** – Prevents brewing when water temperature is below set level.
- **Standard 120VAC Operation** – Makes installation quick and simple.

#### TCTS10200 – Sweet Tea

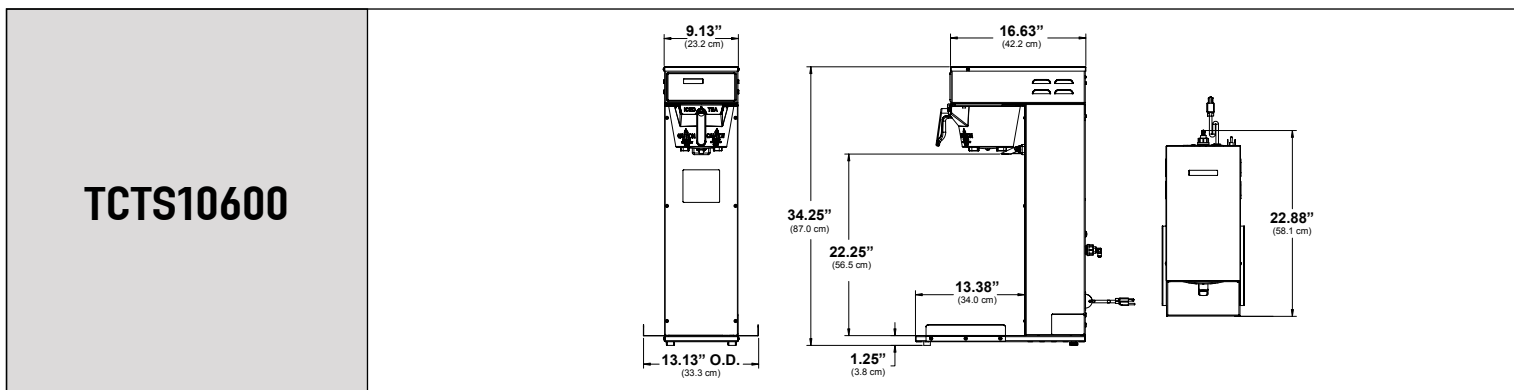
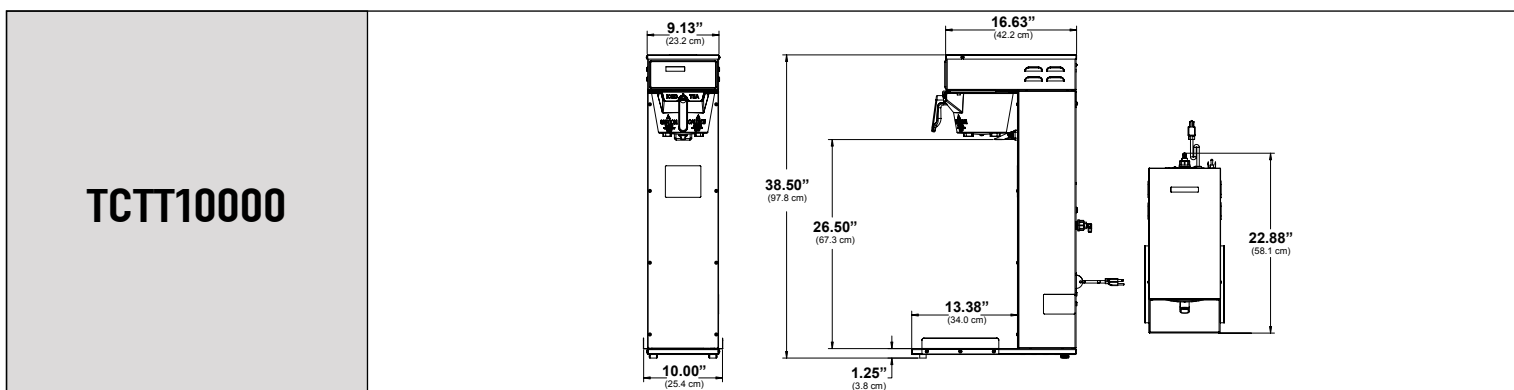
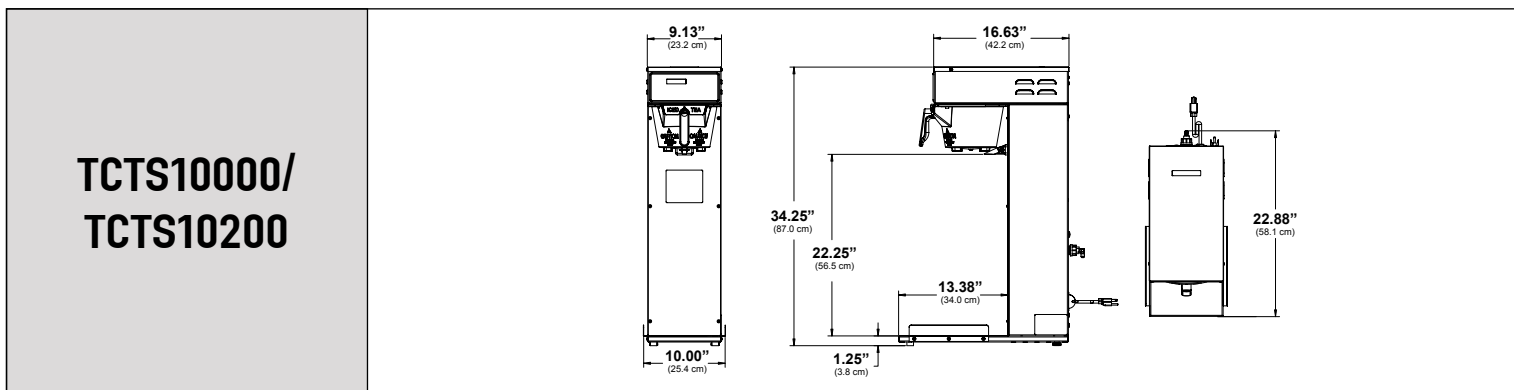
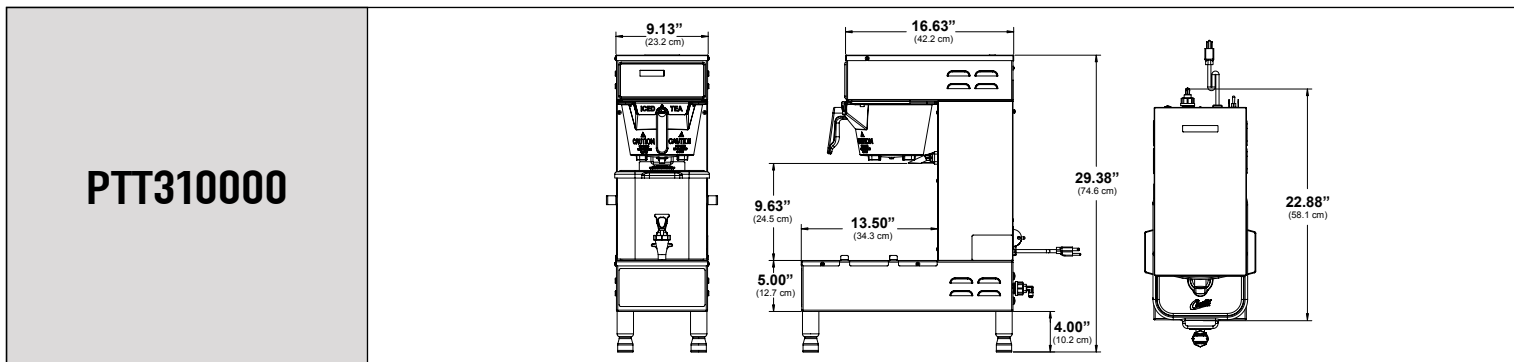
- **"Sweet Tea" Brewer** – Complete with electric pump. Program selectable for regular or sweet tea.

#### TCTS10600-Rotating Brew Cone

- **Rotating Brew Cone** – New brew cone allows for multiple teas to be brewed in one footprint.
- **Dual Dilution** – Two dilution spouts allow for two teas on one brewer.



*Easily brew multiple teas from one brewer. Dual dilution spouts and rotating brew cone allows for brewing two teas without moving serving vessels.*



## BREWER SPECIFICATIONS

MODEL #	DESCRIPTION	BREW CAPACITY	DIMENSIONS (HxWxD)	VOLTS	AMPS	WIRE	WATTS	HERTZ	SHIP WEIGHT	SHIP CUBE
PTT310000	Polaris Low Profile	3 gal.	29.38" x 9.13" x 22.88"	120V	13.8A	2W+G	1650W	50/60 Hz	46.0 lbs.	7.5 cu. ft.
TCTS10000	Short Tea Brewer	3-5 gal.	34.25" x 10.00" x 22.88"	120V	13.8A	2W+G	1650W	50/60 Hz	41.0 lbs.	9.1 cu. ft.
TCTT10000	Tall Tea Brewer	3-5 gal.	38.50" x 10.00" x 22.88"	120V	13.8A	2W+G	1650W	50/60 Hz	43.0 lbs.	9.7 cu. ft.
TCTS10200	Short Sweet Tea Brewer	3-5 gal.	34.25" x 10.00" x 22.88"	120V	13.8A	2W+G	1650W	50/60 Hz	48.0 lbs.	9.1 cu. ft.
TCTS10600	Rotating Cone Tea Brewer	3 gal. per side	34.25" x 13.13" x 22.88"	120V	13.8A	2W+G	1650W	50/60 Hz	41.0 lbs.	9.7 cu. ft.



WILBUR CURTIS CO., INC.  
6913 Acco Street, Montebello, CA 90640-5403  
Telephone: 800-421-6150 · 323-837-2300  
Fax: 323-837-2406  
www.wilburcurtis.com

SPECIFICATIONS SUBJECT TO CHANGE WITHOUT NOTICE.



APR/2014 F-3360 revI